

JOB NAME:

QUANTITY:

ITEM NO.:

PRODUCT NAME:

8" DECK MOUNT FAUCET

MODEL:

26433 WITH SWIVEL OUTLET

FEATURES:

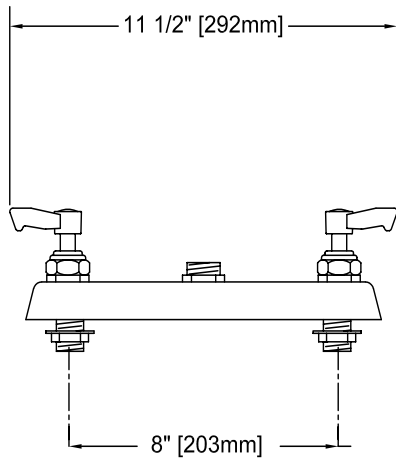
- \* 8" DECK MOUNTED
- \* 1 1/2" LONG SHANKS WITH LOCK NUTS AND 1/2" NPT THREADS

SYSTEM LIMITS

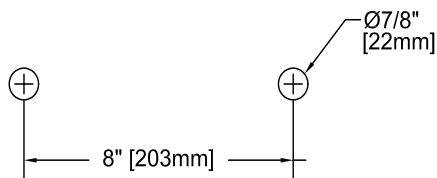
TEMP: 40 F MIN TO 140 F MAX  
 PRESSURE 200 PSI MAX STATIC  
 2.20 GPM @60 PSI

SHIPPING WEIGHT

\* 4.3 LBS



ROUGH IN:



ANSI/A112.18.1M

Distributed by Fisher Manufacturing Company  
 P.O. Box 60 Tulare, CA 93725-0060  
 Phone 800-421-6162 FAX 800-8-FAUCET (800-832-8238)